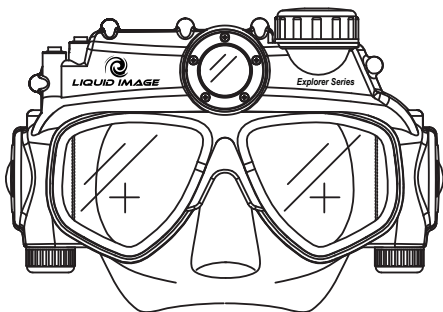


Explorer Series 8.0MP

Models UDCM 304



User Manual - Underwater Digital Camera Mask

Bedienungsanleitung - Taucherbrille mit Digitalkamera

Manuale d'uso - Maschera con Macchina Fotografica Digitale Subacquea

Gebbruiksaanwijzing - Brimasker met ingebouwde Digitale Onderwatercamera

Manuel Utilisateur - Le masque d'appareil photo numérique sous-marin

Manual del usuario - Máscara con cámara digital subacuática

Manual de instruções - Máscara Digital subaquática de Câmera

Användarhandbok - Dykarglasögon med digitalkamera

Brukerhåndbok - Undervannsmaske for digitalkamera

Εγχειρίδιο Χρήσης - ΥΠΟΒΡΥΧΙΑ ΜΑΣΚΑ ΜΕ ΕΝΣΩΜΑΤΩΜΕΝΗ ΨΗΦΙΑΚΗ ΦΩΤΟΓΡΑΦΙΚΗ ΜΗΧΑΝΗ

ENGLISH

DEUTSCH

ITALIANO

NEDERLANDS

FRANCAIS

ESPAÑOL

PORTUGUES

SVENSKA

NORSK

Ελληνικά

ENGLISH

ATTENTION

This manual explains how to safely operate the Underwater Digital Camera Mask. **Please read these instructions carefully before using the camera.**

Keep this manual in a safe place for later reference

Disclaimer

While every effort has been made to ensure that the information contained in the guide is accurate and complete, no liability can be accepted for any errors or omissions. Liquid Image Co reserves the right to change the specifications of the hardware and software described herein at any time without prior notice.

Liquid Image Co declines all responsibility for damages due to improper use of this product, failure to adhere to the instructions given in this manual, or modifications to the UNDERWATER DIGITAL CAMERA MASK.

Cautions concerning data storage: Stored data may be lost or corrupted. It is recommended that any important data be copied onto a separate media (such as a hard disk, DVD-R or CD-R disk). Liquid Image Co makes no warranties and shall not be held responsible for damages resulting from corrupted or lost data due to a malfunction of the camera, the software, the memory cards, personal computer, peripheral devices, use of memory cards, or for any losses that result from images that could not be recorded, are erased, destroyed, or damaged in any way due to a problem or a mistake while utilizing the camera or any of its accessories.

The Underwater Digital Camera Mask is a sophisticated electronic device and should be supervised by an adult at all times. This product should not be used by children under 13 years. This product is not a toy. The inserting of memory cards, USB cable, and batteries must be performed by an adult 18 years or older who has read and understands this manual. An adult must always check all water tight compartments prior to each use.

Products mentioned above or throughout the manual may be trademarks or registered trademarks of their respective companies.

CONTENTS

1.0	Get to know your Camera Mask - Explorer Series™	
1.1	Features	ENG- 2
1.2	Specifications	ENG- 2
1.3	System requirements	ENG- 2
2.0	Functional Parts	
2.1	Included Parts and accessories	ENG- 3
2.2	Part Names - Front View	ENG- 4
2.3	Part Names - Back View	ENG- 5
2.4	Part Names - Exploded View	ENG- 6
3.0	Set up	
3.1	Inserting or Replacing Batteries	ENG- 7
3.2	Inserting Micro SD Memory Card	ENG- 8
3.3	Setting the Date and Time Mode	ENG- 9
3.4	Storage Compartment	ENG-10
4.0	Recording Pictures and Video	
4.1	Still Image Mode	ENG-10
4.2	Video Mode	ENG-11
4.3	Power Off	ENG-11
5.0	Transferring Still images and video to a computer	
5.1	Opening Memory Compartment	ENG-12
5.2	Connecting and Transferring Files	ENG-12
5.3	Disconnecting and Closing Memory Compartment	ENG-13
6.0	Camera Test Instructions	
6.1	Part One - Taking test images and videos	ENG-13
6.2	Part Two - File Size Test	ENG-14
6.3	Part Three - Using the Cross Hairs (View Finders)	ENG-15
6.4	Part Four - Testing the CAMERA MASK in water	ENG-16
7.0	Care and Maintenance	ENG-16
8.0	Camera Warnings and Precautions	ENG-18
9.0	Mask Warnings and Precautions	ENG-19
10.0	Battery Warnings and Precautions	ENG-20
11.0	Commonly Asked Questions and Troubleshooting	ENG-21
12.0	Accessories	ENG-23

1.0 GET TO KNOW YOUR CAMERA MASK



1.1 Features

Still images

Video Clips

Internal 32MB NAND flash memory and Micro SD Card support

Driver free for Windows 2000/ME/XP/Vista/7 and Mac 9.x and X.x

1.2 Specifications - Subject to change without notice

Sensor	5.0MP CMOS sensor
Image Resolution *	8.0Megapixels (3264 * 2448)
Lens	F/3.2 f = 4.0mm
Focus range	0.8m to infinity
Internal Memory	32MB NAND Flash Memory
External Memory Card	Micro SD/SDHC up to 32GB
Video Mode **	Up to 30 FPS @VGA
File Format	Picture: JPEG, Video: AVI
Status Display	LCD Display
PC Interface	USB
Power	2 AAA 1.5V (LR03, FR03) Alkaline, Energizer® Lithium, or NiMH
Auto Off System time	180 seconds

* Quantity of pixels is only an approximate number ** Approximate frames per second

1.3 System Requirement

Operating System	Windows 2000/ME/XP/Vista/7 and Mac 9.x or X.x
CPU	Pentium II or above
RAM	At least 64MB
Interface	USB port
CD	4x speed CD ROM or above

2.0 Functional Parts

2.1 Included Parts and Accessories

Please check the contents now (before use) to confirm that it is complete. Contact your Liquid Image Co dealer if anything is missing.

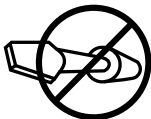
USER MANUAL
UNDERWATER DIGITAL CAMERA MASK
USB CABLE
WARRANTY

Accessories may include:

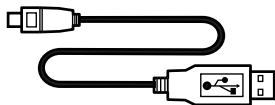
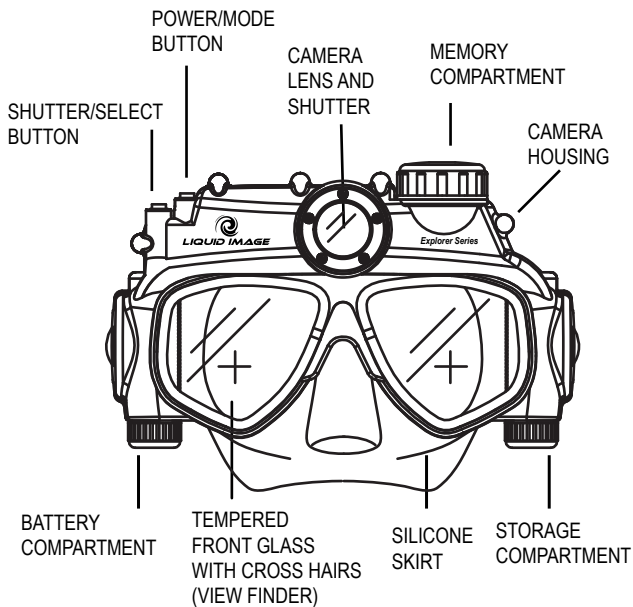
*CARRYING CASE
BATTERIES
SILICONE GREASE TUBE*

NOTE: The UNDERWATER DIGITAL CAMERA MASK will be referred to as the "CAMERA MASK" throughout this instruction manual.

WARNING: NEVER OPEN THE CAMERA BODY THAT IS FACTORY SEALED WITH SCREWS. THIS WILL VOID ANY WARRANTY. NEVER USE A SCREW DRIVER TO OPEN ANY PORTION OF THE CAMERA MASK.

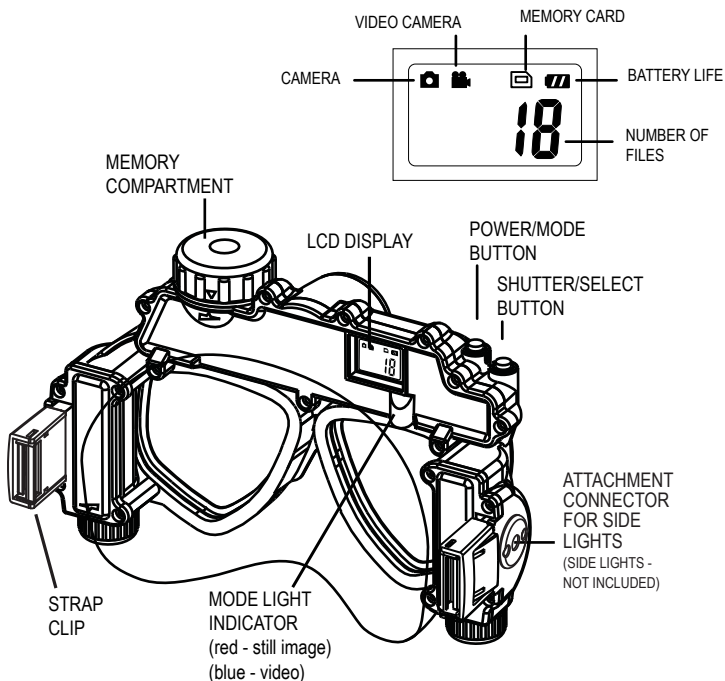


2.2 Part Names - Front View

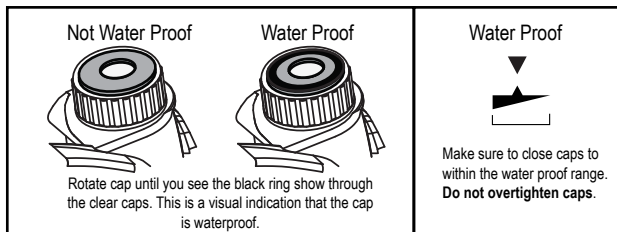


USB CABLE

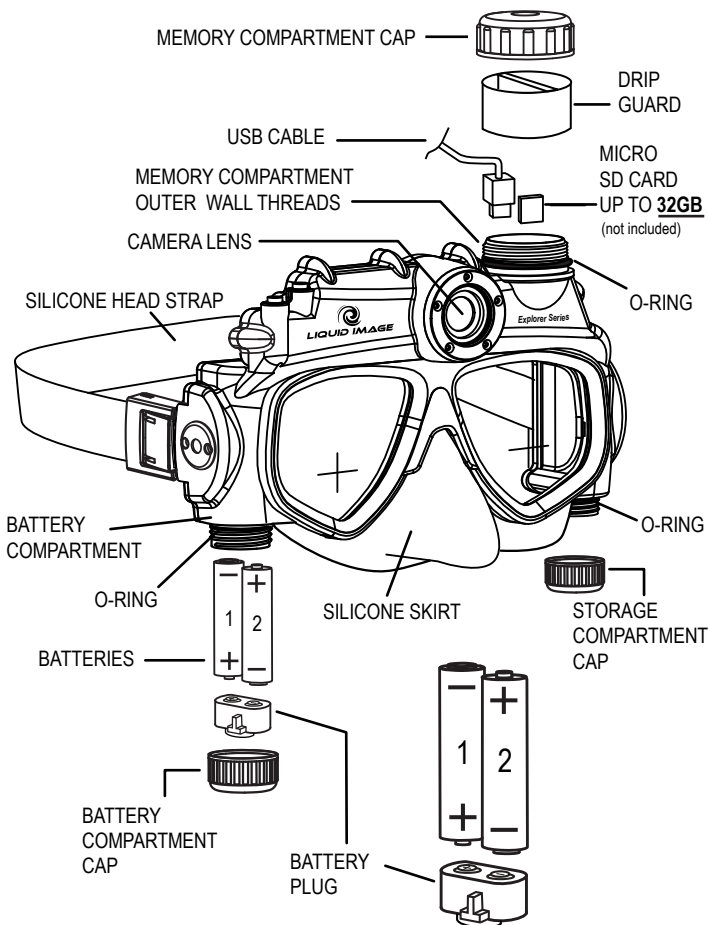
2.3 Part Names - Back View



WATER PROOFING CAPS



2.4 Part Names - Exploded View



3.0 CAMERA MASK SET UP

CAUTION: An adult 18 years or older should perform this function. Always make sure the CAMERA MASK is completely dry before performing these steps. Set up should always take place in a clean dry space with a controlled environment. These steps should be performed indoors to avoid exposure to the elements.

3.1 Inserting or Replacing Batteries

You may use AAA Alkaline, AAA Lithium, or AAA NiMH batteries to power the CAMERA MASK (1.5V AAA, LR03, FR03). NOTE: We suggest using Energizer® Lithium batteries to power this product. The battery life is approximately 10 times longer than alkaline batteries when used in the CAMERA MASK.

NOTE: The LCD indicator shows battery life. When no remaining bars are displayed, the battery is low. Replace batteries to continue using. Files on either the internal memory or on the Micro SD card will not be lost if battery power runs out or during replacement of the batteries.

CAUTION: Always insert two new batteries of the same type and brand. Do not mix different types of batteries. Follow all instructions from the battery manufacturer of the batteries that you use.

To insert or replace batteries:

1. Locate the BATTERY COMPARTMENT.
2. Open the BATTERY COMPARTMENT. Remove the cap slowly.
3. Locate and remove the BATTERY PLUG. CAUTION: Do not lose this part. The CAMERA MASK will not function without this part.
4. Remove and dispose of the old batteries in accordance with local laws.
5. Insert the new batteries in accordance with the Diagram inside the BATTERY COMPARTMENT on the CAMERA MASK.
6. Reinsert the BATTERY PLUG.
7. Close the BATTERY COMPARTMENT to the water proof range marked on the mask housing (detail pg5). Do not overtighten cap.

Estimated Battery life for Alkaline and Lithium AAA batteries

Alkaline AAA Battery

Still image mode: up to 400 pictures

Video clip recording mode: up to 30 minutes

Lithium AAA (Energizer®) Battery

Still image mode: up to 4000 pictures

Video clip recording mode: up to 250 minutes

3.2 Inserting Micro SD Card (OPTIONAL STEP - Recommended)

NOTE: A Micro SD Memory Card is not included with your camera. It is recommended that you purchase a commercially sold Micro SD Card to increase the memory. This CAMERA MASK works with a Micro SD/SDHC card **up to 32 GB**. Carefully read the instructions and warning that come with the card.

Approximate File Storage

Internal 32MB Memory
Images: 27-30
Video: 47-52 seconds

Micro SD Card 1GB
Images: 1100 - 1400
Video: 28 - 35 minutes

* included memory

To insert a Micro SD Memory Card into your CAMERA MASK:

1. Locate the MEMORY COMPARTMENT on the top of the CAMERA MASK. (This compartment also houses the USB port.)
2. Open the MEMORY COMPARTMENT.
3. Locate and remove the rubber DRIP GUARD. CAUTION: Do not lose this part. The DRIP GUARD is part of the water proofing system.
4. Insert the Micro SD/SDHC Card in accordance with the diagram next to the card port. CAUTION: Liquid Image Co, LLC is not responsible for damage to the CAMERA MASK or to the memory card if the card is inserted improperly.
5. Reinsert the rubber DRIP GUARD into the MEMORY COMPARTMENT.
6. Close the MEMORY COMPARTMENT to the water proof range marked on the mask housing (detail pg5). Do not overtighten cap.

3.3 Setting the Date and Time Mode

This feature allows you to set the Date and Time to the photo or video file.

1. Press and hold the POWER/MODE button to turn on the camera.
2. Press and hold SHUTTER/SELECT button down then press POWER/MODE button 3 times continuously and then release the SHUTTER/SELECT button. The LCD screen will access the Time Setting mode. You will be able to change Year(YYYY),Month(MM),Day(DD),Hour(hh),and Minute(mm).The first window will be YYYY for Year. Press the SHUTTER/SELECT button and the numbers will appear(ie.2009).The first number "2" in the year will start blinking.
3. Press the POWER/MODE button to change the blinking character from 0-9. Press the SHUTTER/SELECT button to select the number and move onto the number "0". The setting process is from the left to right and will go through the different settings from Year, Month, Day, Hour,and minute. Once the number is confirmed by pressing the SHUTTER/SELECT button,the next digit will start blinking.Once the you see the letters again such as MM for Month, press the SHUTTER/SELECT button to move to the numbers representing the month. Continue the process until you return to YYYY.
4. To get out of the Date and Time Setting Mode, press and hold the SHUTTER/SELECT button for 2 seconds. The CAMERA MASK will return to the still image mode(RED LED).
5. In case the battery needs to be replaced or the battery runs out ,the date setting data will be maintained for 24 hours.

3.4 Storage Compartment (OPTIONAL STEP)

You may use the STORAGE COMPARTMENT on the CAMERA MASK to store a small object such as lip balm, batteries, or rolled up money. Be sure to close the cap to the water proof range marked on the mask housing (detail pg5). Do not overtighten cap.

CAUTION: An adult of 18 years or older must always check all three water tight compartments for closure prior to the CAMERA MASK entering any water. Liquid Image Co, LLC declines any claim for compensation for product damage etc. in case of a failure due to any compartment that was not completely resealed according to the directions set forth in this user manual.

4.0 RECORDING PICTURES AND VIDEO

CAUTION: Read and perform the 4 Part CAMERA TEST described in this manual prior to using in the water!

NOTE: The CAMERA MASK has 2 modes and pressing the POWER/MODE button cycles through the modes in the following order: Still Image and Video. To advance to the next mode, press the POWER/MODE button one time. The camera will remain on and ready to use for 180 seconds, after which the CAMERA MASK will turn off automatically. If you press and hold the POWER/MODE for more than 1 second, the camera will also turn off.

4.1 Still Image Mode - RED LIGHT

1. Press the POWER/MODE button for at least 1 second. The camera turns on. The camera will power up in STILL IMAGE mode.

Note: the RED MODE LIGHT INDICATOR is on and the CAMERA MASK is now in the STILL IMAGE READY mode and set to take pictures. The LCD screen displays the camera icon.

2. Press the SHUTTER/SELECT button once. A still image is captured.

NOTE: To capture in focus images, it is important that the distance between the camera and the subject is at least 0.8 Meters (32 inches).

4.2 Video Mode - BLUE LIGHT

1. Press the POWER/MODE button for at least 1 second. The camera turns on.
2. Press the POWER/MODE button again for less than a second to change to VIDEO Mode.

Note: the BLUE MODE LIGHT INDICATOR is on and the CAMERA MASK is now in the VIDEO READY mode and set to take videos. The LCD screen displays the movie camera icon.

3. Press the SHUTTER/SELECT button once. Recording begins.

Note: the BLUE MODE LIGHT INDICATOR is blinking. The light will continue to blink until the camera stops recording.

4. To stop recording, press the SHUTTER/SELECT button again.

4.3 Power Off

1. Press the POWER/MODE button for more than 1 second to turn the camera off.
- NOTE: If either the POWER/MODE or the SHUTTER/SELECT button has not been used in 180 seconds, the CAMERA MASK will turn off automatically.

5.0 TRANSFERRING STILL IMAGES AND VIDEO TO A COMPUTER

CAUTION: ALWAYS FOLLOW THE CARE AND MAINTENANCE INSTRUCTIONS FOR RINSING IN FRESH WATER AND DRYING THE CAMERA MASK PRIOR TO OPENING THE MEMORY COMPARTMENT.

The CAMERA MASK has two ways to transfer your image and video files to a computer. The CAMERA MASK comes with a USB cable to connect your CAMERA MASK directly to a computer. You may also choose to purchase and use a commercially sold Micro SD Card to store and transfer images and videos that were taken with the CAMERA MASK.

The computer does not require software to access the files stored on the CAMERA MASK. The CAMERA MASK will act as an external hard drive when the USB cable connects the camera to a computer.

5.1 Opening Memory Compartment

1. Make sure the CAMERA MASK is thoroughly clean and dry. Follow the CARE AND MAINTENANCE instructions.
2. Open the MEMORY COMPARTMENT.
3. Locate and remove the rubber DRIP GUARD. Make sure the DRIP GUARD is clean and dry before proceeding. CAUTION: Do not lose this part. The DRIP GUARD is part of the water proofing system.

5.2 Connecting and Transferring Files

1. Choose a method to transfer files: USB or Micro SD Card.

USB TRANSFER

Plug the USB cable into the USB connection port on the computer and then into the USB Port on the CAMERA MASK. The CAMERA MASK automatically turns on in TRANSFER (PC) Mode. NOTE: The USB cable will be able to access both the internal memory and the files stored on the Micro SD Card.

MICRO SD CARD TRANSFER

Press down on the Micro SD Card gently. The card will pop up for removal. Carefully remove the card and insert it into the Micro SD card adapter that comes with the Micro SD Card and then insert the card into your computer's SD Card Slot as directed by the manufacturer.

CAUTION: Never insert a wet Micro SD Card into a card adapter or into a Computer.

2. The connection screen opens on your computer monitor automatically. Choose the option: OPEN FOLDER TO VIEW FILES.

NOTE: If the screen does not automatically open, look for a new hard drive icon on the computer next to your other hard drive icons. Click on the icon to view your image and video files.

3. The image and video files will appear in a folder.
4. Copy the files to a folder on your computer (For example: My Pictures\Hawaii). Alternatively, you may copy the entire folder to your computer.

-
5. If you wish to delete the data from the CAMERA MASK'S internal memory or from the Micro SD Card, select the files you wish to delete and press delete on your computer keyboard.
 6. Click the close button.

NOTE ON MEDIA PLAYERS:

There are multiple media players available online to play the AVI video files created with the CAMERA MASK. If your default computer media player is unable to play the videos, your player may be out of date and you may need to update it online. You may also try using an alternate media player if your computer has one or if you choose to download one from a source that you trust online.

5.3 Disconnecting and Closing Memory Compartment

1. Safely disconnect the USB from your computer and from the CAMERA MASK. Alternatively, if you transferred files using the SD Card method, disconnect the SD Card from the computer and then remove the Micro SD card from the adapter. Reinsert the Micro SD Card into your CAMERA MASK.
2. Reinsert the rubber DRIP GUARD into the Memory compartment and close the Memory compartment cap to the water proof range marked on the mask housing (detail pg5). Do not overtighten cap.

NOTE: It is recommended that you always delete all the files from your CAMERA MASK or from your Micro SD Card after transferring your files to a computer. This will free up space for more images and video files.

6.0 CAMERA TEST INSTRUCTIONS - 4 PARTS

6.1 Part One - Taking test images and video:

Before using this product in water and before capturing important digital images and video, be sure to first record a test image and test video to confirm that your camera is set up and ready to go. It is best to move slowly when taking pictures and videos and avoid moving your head side to side as the video will be bouncy and the pictures will be blurry. Follow the download instructions to complete PART ONE of your test. Liquid Image Co, LLC declines any claim for compensation for recorded contents etc. in case of recording failure due to a camera or card flaw.

In bright sunshine, the LED light may be hard to see. Shade the area over your eye with one hand to see the MODE LIGHT easier.



6.2 Part Two - File Size Test

When recording video it is very important that you are already familiar with the file size that your computer can store and playback. If you record a continuous video clip onto the CAMERA MASK internal memory or onto a Micro SD Card, you may not be able to download or play the video file on your computer because of the large file size.

Please conduct a FILE SIZE TEST before you use your CAMERA MASK to capture important images and video. Test various video file sizes to make sure your computer will be able to store and play the videos that you record. If you have difficulty in playing back video files smoothly, try taking a shorter video. You may also try opening the video file with a different media player as not all media players work the same.

Please read the sample chart below to estimate your file size per minute of recording time.

Approximate Video File Sizes -

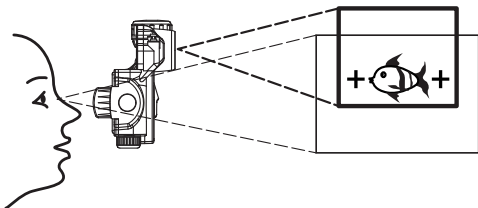
TIME (min):	0.5	1	10	30
SIZE OF FILE:	18MB	36MB	360MB	1080MB

NOTE: Video file sizes will vary due to the complexity of the scene. The file sizes listed are only estimates.

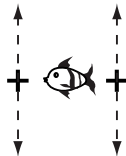
NOTE: Depending on the batteries that you use and if you add a Micro SD Card with 2 GB, you may be able to record a video for an hour or more. It is, however, best to take short videos. This will make transferring files and playing them back easier.

6.3 Part Three - Using the CROSS HAIRS (View Finder):

The CROSS HAIRS on the goggles of the CAMERA MASK help you to approximate the camera view. In general, the camera will record a view that is directly in front of you. The view from your eyes will be larger than the image captured.



Depending on the position of your eyes in relation to the camera lens and cross hair viewfinders, you may notice that the camera records images which are slightly higher or lower than the view straight in front of you and centered in your crosshairs. This is due to the variance of the location of the eyes in relation to the camera lens. NOTE: Close up images will be higher (above your cross hairs or your view point) because the camera lens is above your eyes.



After performing your first camera test, if you notice the top or the bottom of your subject is cut from the image, try looking slightly up or down to perform another test. This will help you determine how best to record your subject while taking an image or video. You may then use the CROSS HAIRS as a reference to determine where your image is framed. For some people, the CROSS HAIRS may rest in the middle of the image. For others, the CROSS HAIRS may be at the top or at the bottom of the image. It is very important to make this determination prior to using the mask for any important images. Practice taking pictures to learn your focal points both close and far.

NOTE: When you first try on the CAMERA MASK, you may barely notice the CROSS HAIRS on the GOGGLE LENSES. The CROSS HAIRS are more noticeable when you wear the mask underwater.

6.4 Part Four - Testing the CAMERA MASK in shallow water

It is important to test the CAMERA MASK in a shallow area where you can stand with your head above water.

1. Make sure the water is calm and free of obstacles, including people.
2. Wet hair, and then place the CAMERA MASK over the head. Make sure hair is pulled back so that the seal around the mask is water tight.
3. Test the fit and water tightness around the eyes. Tighten or loosen the head strap if needed.
4. Feel the buttons on the top right side of the mask. Become familiar with the finger placement.
5. Test all the camera modes and notice the MODE LIGHT INDICATOR colors above your right eye.
6. Press and hold the power button until you see the MODE LIGHT INDICATOR disappear. This indicates that the power to the CAMERA MASK is OFF.
7. Remain in shallow water and practice using the buttons on the CAMERA MASK to record images and video until you are comfortable wearing and using the CAMERA MASK while swimming.

CAUTION: For use while snorkeling or scuba diving, be sure you are comfortable with the fit and use of the mask and camera functions prior to use during an excursion. Perform the Camera Test prior to every excursion to check that all parts are functioning.

CAUTION: The CAMERA MASK compartments should only be opened in a safe indoor environment (away from sand and water) to perform necessary operations. NEVER open any compartment that is sealed with screws.

7.0 CARE AND MAINTENANCE

When you are finished using the CAMERA MASK, always clean and wipe away any water, sand, salt, or other debris before opening or storing. Always clean with FRESH WATER.

To Clean:

1. Check all three caps for water tight closure before exposing to water.
2. **Always rinse the CAMERA MASK in FRESH WATER** to remove any sand, salt or other debris. Do not use hot water or high pressure which may damage camera.

-
3. Use a soft dry cloth to thoroughly remove all water. Carefully press around the seams of all compartments to absorb any water left in the cracks.
 4. Once the camera is completely dry on the outside, check to make sure that you are also thoroughly dry including your hands, hair, and clothes before opening any compartments. This precaution is necessary so that you will not drip water into or onto the camera.
 5. Gently open each compartment. If you find any moisture, sand or debris caught inside the threads of the outer compartment wall, immediately remove them with a cloth or cotton swab.
 6. If any moisture or debris has accumulated inside a compartment use a cotton swab to remove it, being careful not to touch the CAMERA MASK electronic components.
 7. Before closing any compartment, replace any loose parts. Then inspect and clean the inside of the cap prior to positioning over the open compartment.
 8. To keep the O-RINGS working properly, wipe sand, salt, or debris away from the O-RING after use. and apply a thin layer of SILICONE GREASE to the O-RING before closing compartment. Keep away from Electronic components.
 9. Follow the instructions for downloading any files.
 10. Store the CAMERA MASK in a dry place away from direct sunlight.
 11. Keep the CAMERA MASK at normal room temperatures that do not fluctuate widely. Do not store next to a heater or an air conditioning unit. The extreme temperatures may damage the CAMERA MASK. Exposure to extreme temperatures or temperature fluctuations may cause condensation inside the CAMERA MASK which may damage the device. If you notice condensation, do not use the CAMERA MASK. Set in a dry area with room temperature until the condensation disappears. Run a camera test to check its function prior to regular use. Do not use a hair dryer.
 12. HUMID CLIMATES - Make sure to only open the camera briefly in Humid Climates as moisture in the air may be trapped in the inner compartments if the camera caps are left opened for a period of time. This will result in condensation on the LENS when the CAMERA MASK is submerged in warm water.
 13. Safe Operating Temperature: 0 to 40°C (32 to 104°F) / Safe Storage Temperature: -20 to 60°C (-4 to 140°F) / Safe Operating Humidity: 30 to 90% (when no condensation is visible)/ Safe Storage Humidity 10 to 90% (when no condensation is visible).

8.0 CAMERA WARNINGS AND PRECAUTIONS

Never touch the camera connection components that are exposed when the **MEMORY COMPARTMENT OR BATTERY COMPARTMENT** are open. There is a risk of shock if the components in the compartments become wet.

If the CAMERA MASK emits a strange noise, smoke or odor, turn off immediately and remove the batteries.

1. Using the CAMERA MASK in a manner other than what the product use is intended for may result in injury to you, the product, or other persons. Never use the CAMERA MASK for activities other than swimming, snorkeling, or scuba diving.
2. Avoid jolts, drops, collision with other hard objects, or shaking of the CAMERA MASK. These movements may damage the components.
3. Never open the camera body. There is a risk of shock if you touch the camera components.
4. Children under 13 years of age should never wear or operate the CAMERA MASK.
5. Children age 13 to 17 should always have adult supervision with use of this product in and out of water. The CAMERA MASK is not a toy and needs to be treated with the same care as any other underwater digital camera.
6. An adult age 18 or older should always dry the product thoroughly before performing the battery replacement or before performing the transfer of image and video files to a computer.
7. Pay close attention to your surroundings when using the camera. Failure to do so may lead to an accident or injury. If you are not in a safe swimming environment, do not use the camera features.
8. **Only use the CAMERA MASK to the depth rated on the camera and packaging.** Use within the depth parameters. This camera complies with the CAMERA MASK depth rating printed on its packaging and on the camera body for a maximum depth. Using the camera at a depth that exceeds this parameter may expose the interior to water and cause the CAMERA MASK to malfunction.
9. Do not press the buttons of the Underwater Digital Camera Mask with unnecessary force. This may cause damage to the housing.
10. This device contains a specified time limit to water exposure of approximately 60 minutes of consecutive use underwater. Using the camera in conditions that exceed the one hour may expose the interior to water and cause the CAMERA

MASK to malfunction.

11. If the inside of the camera gets wet, immediately turn it off and dispose of the batteries. Then dispose of the CAMERA MASK in accordance with laws for disposing electronics in your country. Using the camera after any internal compartments have become wet may cause a fire or electric shock.
12. If the batteries become wet, there is a risk of fire, shock, shorting the electrical system, or corrosion. Dispose of the batteries immediately in accordance with the battery manufacturer's directions.
13. Do not place on an unstable surface or near the edge of a surface. The camera may fall, resulting in damage to the camera or injury. If the camera has fallen and its body is damaged, turn it off, remove the batteries and dispose of the CAMERA MASK in accordance with laws for disposing electronics. Using the camera after its body has been damaged may cause a fire or electric shock.
14. **Never leave the CAMERA MASK in direct sunlight.** Never leave the Camera Mask in the trunk of a car or in a car on a warm or hot day. Direct sunlight or high temperatures may damage the Camera Mask or cause the housing to burst.
15. Do not use the CAMERA MASK in a location where there is explosive gas, or any other flammable material in the air. Doing so may cause a fire or an explosion.
16. If the camera is not going to be used for a long period of time, remove the batteries from the camera. This will prevent any possible excess heat or leakage of battery fluid that may result in injuries or damage to nearby objects.

9.0 MASK WARNINGS AND PRECAUTIONS

1. Do not dive or jump into water while wearing the CAMERA MASK. Jumping or diving into water while wearing the CAMERA MASK could result in injury. Place over your face after entering the water.
2. Remove mask carefully with an upward motion. If you pull straight out it could spring back on your face and injure your eyes.
3. Do not wear the CAMERA MASK while out of the water. The CAMERA MASK is intended for use in water.
4. Do not use the CAMERA MASK if skin is cut, broken or lacerated in any manner. Discontinue use immediately if irritation arises.
5. Do not use the CAMERA MASK under conditions where sudden or high speed impact with the water or hard objects could occur, as sudden impact to the lens or

frame could cause it to break, resulting in serious or permanent injury to the face or eyes.

6. The CAMERA MASK is not suitable for looking directly into the sun. Looking directly at the sun through the tempered glass lenses may damage your eyes.

7. Children should always have adult supervision while swimming or playing in water. Children under 13 years of age should never wear or operate the CAMERA MASK.

8. The CAMERA MASK should only be used by persons who are capable of swimming comfortably and safely while wearing a swimming mask and while operating an underwater camera.

9. Pay close attention to your surroundings including people, marine life, reefs and the water, when using the CAMERA MASK. Failure to do so may lead to an accident or injury.

10. Do not use the Underwater Digital Camera Mask in place of a personal flotation device (life jacket). This is not a lifesaving device.

11. Do not walk or swim with the Underwater Digital Camera Mask around your neck. There is a danger that the neck strap will become twisted or entangled and cause strangulation or another mishap.

10.0 BATTERY WARNINGS AND PRECAUTIONS

1. Only batteries of the same or equivalent type as recommended are to be used.

2. Exhausted batteries are to be removed from the CAMERA MASK.

3. Use only appropriate refuse points for environmentally correct disposal of spent batteries.

4. Non-rechargeable batteries are not to be recharged.

5. Batteries are to be inserted with correct polarity.

6. Parental guidance is necessary when installing or replacing batteries.

7. Different types of batteries or new and used batteries are not to be mixed.

8. All batteries are to be replaced at the same time.

9. Do not throw batteries into fire.

10. After use, always switch off the device. Take out batteries to store the device.

11. The supply terminals are not to be short-circuited.

12. Do not drop, hit, or submit the battery to strong shocks.

13. Do not allow the battery to come into contact with fresh or salt water, or allow

the terminals to become wet.

14. If the battery is leaking and the battery fluid gets on your skin or clothing, immediately rinse with clean water and seek emergency care.

11.0 COMMONLY ASKED QUESTIONS AND TROUBLESHOOTING

1. How deep can my CAMERA MASK go underwater? Your CAMERA MASK is rated to a specific depth stated on its packaging and warranty as well as on the CAMERA MASK itself. Some CAMERA MASKS may be rated to a deeper level than others due to parts and testing procedures indicated at the time of production for that unit. Taking the CAMERA MASK to a deeper level may cause damage and will void any warranty.

2. When I take photos they are sometimes dark or blurry. The clarity of the water you are in and the lighting conditions will affect your images. Oceans, lakes or pools can vary widely in clarity and that clarity often decreases as you descend in the water. Test the camera's photo ability in several other conditions such as clear water near the surface and test above water in several daylight conditions to assess the camera's function. Dirt, salt, or fingerprints on the lens covering may also blur your photos. Also, you may experience water drops on the front glass lens when you are above the water which will cause blurry pictures. Gently wipe with a soft, dry cloth to clean. This camera was developed for outdoor use in daylight. Images or video recorded indoors may not have a desirable quality. You may also try using photo editing software to brighten or enhance the colors in your images and video.

3. When I take photos I cut off the top or bottom of my subject. Your CAMERA MASK has cross hairs on the goggles; use them as a reference to align your photos. The location of the cross hairs is only a reference guide. See 6.3 Camera Test Instructions PART 3 - USING THE CROSS HAIRS (VIEW FINDER).

4. My camera has stopped recording videos or images. If your CAMERA MASK has stopped recording images or video, check to see if the memory is full. You will see the word FULL display on the LCD screen. Also check to see if your battery is empty. Replace batteries if needed.

-
5. My face or head does not fit the CAMERA MASK. Try adjusting the head strap. The SILICONE SKIRT is made to fit a variety of face shapes and sizes; however it may not accommodate all face shapes and sizes.
 6. My goggles fill up with water. First try adjusting the HEAD STRAP. Facial hair can cause the mask to leak. Try using a petroleum jelly on facial hair to minimize leaking.
 7. My goggles fog up. You may purchase an Anti-Fog product to place on the GOGGLE LENSES.
 8. My battery power runs out quickly. Not all batteries are made equally. We suggest using Energizer® Lithium batteries for the best performance of this camera. Make sure you only insert new batteries that have been properly stored to maintain their full usage. Do not mix different types of batteries.
 9. My CAMERA MASK is no longer working. Any large changes in temperature, exposure to extreme temperatures or sudden jolts, including dropping your CAMERA MASK may damage the camera components. If you have not dropped your camera or caused damage through any physical shaking or colliding of the camera with a hard object, or if you have not caused exposure to extreme temperatures or temperature fluctuations, there may be an issue of water leakage into one of the compartments. Thoroughly dry the CAMERA MASK, checking for any loose parts, including the 3 caps. After inspection, carefully open and check inside each of the compartments for any trace amounts of water or debris. DO NOT OPEN THE BODY OF THE CAMERA MASK. Be careful not to touch any camera components inside the MEMORY COMPARTMENT OR BATTERY COMPARTMENT. If no water or debris were found in any of the compartments, check to see if the battery power is out by replacing the batteries with two new batteries.
 10. My CAMERA MASK is ON, but not functioning. If your CAMERA MASK has stopped recording images or video, check to see if the memory is full. You will see the word FULL display on the LCD screen. Also check to see if your battery is empty or low. If the camera is "Frozen" or not functioning while on, there may be an issue

with the battery. Move to a clean and dry environment and completely clean and dry your CAMERA MASK. Try removing the batteries and returning them to the compartment. Then turn the camera back on to check for function. If it is still not working, replace the batteries with NEW ones and check for function.

For more trouble shooting, visit our website's help section www.LiquidimageCo.com or email our CUSTOMER SUPPORT at support@liquidimageco.com.

12.0 ACCESSORIES

The CAMERA MASK may ship with other accessories. It is not necessary to use these products with the CAMERA MASK.

You may decide not to use any accessories supplied with the CAMERA MASK.

Follow the instructions provided by the manufacturer of the accessories. Please refer to their guides, help phone lines, email or websites for troubleshooting with their products. Liquid Image Co, LLC declines any claim for compensation for any damages resulting from any accessories supplied with the CAMERA MASK.

LIMITED WARRANTY: See limited warranty form included with this product.

Energizer® is the trademark of Energizer.

Underwater Digital Camera Mask, Camera Mask and Explorer Series are the Trademarks of Liquid Image Co, LLC.

US and Foreign Patents Pending

Colors and style may vary from picture shown

Made in China

Warning: TO PREVENT THE RISK OF FIRE OR ELECTRIC SHOCK, DO NOT EXPOSE THIS APPLIANCE TO RAIN OR MOISTURE.

FOR AMERICAN USERS

The following advisory is included in accordance with the laws of the state of California (USA)

WARNING:

This product contains chemicals, including lead on the internal electronic board, known in the State of California to cause cancer, birth defects or other reproductive harm. **Wash hands after handling.**

Warning: Changes or modifications to this unit not expressly approved by the party responsible for compliance could void the user's authority to operate the equipment.

NOTE: This equipment has been tested and found to comply with the limits for a Class B digital device, pursuant to Part 15 of the FCC Rules. These limits are designed to provide reasonable protection against harmful interference in a residential installation. This equipment generates, uses and can radiate radio frequency energy and, if not installed and used in accordance with the instructions, may cause harmful interference to radio communications.

However, there is no guarantee that interference will not occur in a particular installation. If this equipment does cause harmful interference to radio or television reception, which can be determined by turning the equipment off and on, the user is encouraged to try to correct the interference by one or more of the following measures:

- * Reorient or relocate the receiving antenna.
- * Increase the separation between the equipment and receiver.
- * Connect the equipment into an outlet on a circuit different from that to which the receiver is connected.
- * Consult the dealer or an experienced radio/TV technician for help.

Shielded cables must be used with this unit to ensure compliance with the Class B FCC limits.

FOR CANADIEN USERS

This Class B digital apparatus complies with Canadian ICES-003.

Declaration of Conformity

This device complies with Part 15 of the FCC Rules.

Operation is subject to the following two conditions:

- (1) this device may not cause harmful interference, and
- (2) this device must accept any interference received, including interference that may cause undesired operation.

Notes:

In the blank space below, write down your focus point when using the cross hairs. This will insure that you remember how to align and frame objects in front of you with respect to your eyes and the cross hairs.



LIQUID IMAGE®

Liquid Image Co, LLC
7909 Walerga Rd., Suite 112-206
Antelope, CA 95843, USA
Company Phone: 916-721-4848
www.LiquidimageCo.com



RoHS



Printed in China